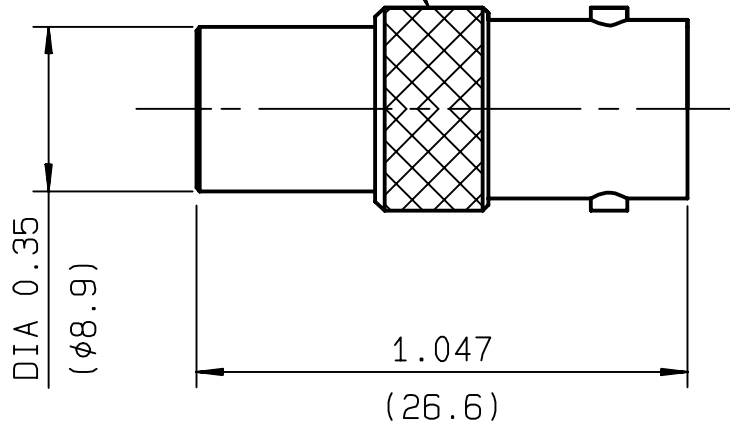


**SMA MALE PUSH ON - BNC FEMALE
STRAIGHT ADAPTER**

R191.303.502
SERIES ADAPT

DIA 0.433 DIAMOND KNURL
(φ11 moletage croise)



NOMINAL IMPEDANCE	50 Ω	CABLES :		
FREQUENCY RANGE	0-4 GHz			
TEMPERATURE RATING	-65/+165 °C			
V.S.W.R	1.20 + 0 x F(GHz)Maxi			
RF INSERTION LOSS	0.115 √F(GHz) dB Maxi			
VOLTAGE RATING	500 Veff Maxi			
DIELECTRIC WITHSTANDING VOLTAGE	1000 Veff Mini			
INSULATION RESISTANCE	5000 MΩMini		OTHERS CHARACTERISTICS	
HERMETIC SEAL	NA Atm.cm ³ /s		CABLE RETENTION	NA N Mini
LEAKAGE (pressurized only)	NA		CENTER CONTACT RETENTION	
MECHANICAL DURABILITY	500 Cycles	Axial force - mating end	18 N Mini	
WEIGHT	gr	Axial force - opposite end	18 N Mini	
SPECIFICATION		Torque	NA cm.N Mini	
		RECOMMENDED TORQUES		
		Mating	NA cm.N	
		Panel nut	NA cm.N	
		Clamp nut	NA cm.N	

CONNECTOR PARTS	MATERIALS	FINISH	(all values are given) in micrometers
BODY	BRASS	NICKEL 2	
OUTER CONTACT	BERYLLIUM COPPER	NICKEL 2	
CENTER CONTACT	BERYLLIUM COPPER	GOLD 0.8 OVER NICKEL 2	
INSULATOR	PTFE	-	
GASKET		-	
OTHERS PIECES			

ISSUE	CREATION DATE	FILE PART-NUMBER
0204C00	18/04/1994	94-0400-056



MASTRIANO

The information given here is subject to change without notice.
Design changes may be in order to improve the product .

Connect to the future